

JET

DC-900

Dust Collector

Original:

GB
Operating Instructions

Translations:

D
Gebrauchsanleitung

F
Mode d'emploi



JPW (Tool) AG
Tämperlistrasse 5
CH-8117 Fällanden
Switzerland
Phone +41 44 806 47 48
Fax +41 44 806 47 58



www.jettools.com

M- [10001051M](#)

2015-04

CE-Conformity Declaration

Product: Dust Collector

DC-900

Stock Number: [10001051M](#)

Brand: JET

Manufacturer:

JPW (Tool) AG, Tämperlistrasse 5, CH-8117 Fällanden, Switzerland

On our own responsibility we hereby declare that this product complies with the regulations

- * 2006/42/EC Machinery Directive
- * 2004/108/EC EMC Directive (Electro Magnetic Compatibility)
- * 2006/95/EC Low Voltage Directive
- * 2011/65/EU RoHS Directive (Reduction of Hazardous Substances)

designed in consideration of the standards

** EN ISO 12100-1, EN ISO 12100-2, EN ISO 13857, EN 349, EN 953, EN 60204-1, EN ISO 11202, EN 55014-1, EN55014-2, EN ISO 14121-1

Technical file compiled by: **Alain Schmid, JPW (TOOL) AG, General Manager**

A handwritten signature in black ink, appearing to read 'A. Schmid', is centered on the page. The signature is stylized and somewhat cursive.

2015-04-17 **Alain Schmid, General Manager**

JPW (Tool) AG, Tämperlistrasse 5, CH-8117 Fällanden, Switzerland

GB - ENGLISH

Operating Instructions

Dear Customer,

Many thanks for the confidence you have shown in us with the purchase of your new JET-product. This manual has been prepared for the owner and operators of a **DC-900 dust collector** to promote safety during installation, operation and maintenance procedures. Please read and understand the information contained in these operating instructions and the accompanying documents. To obtain maximum life and efficiency from your dust collector, and to use it safely, read this manual thoroughly and follow instructions carefully.

...Table of Contents

1. Declaration of conformity

2. Warranty

3. Safety

Authorized use
General safety notes
Remaining hazards

4. Machine specifications

Technical data
Noise emission
Contents of delivery
Unit description

5. Assembly and start up

Assembly
Dust collection
Mains connection

6. Machine operation

7. Maintenance and inspection

Cleaning filter
Changing collector bag

8. Trouble shooting

9. Environmental protection

10. Available accessories

1. Declaration of conformity

On our own responsibility we hereby declare that this product complies with the regulations* listed on page 2. Designed in consideration with the standards**.

2. Warranty

The Seller guarantees that the supplied product is free from material defects and manufacturing faults. This warranty does not cover any defects which are caused, either directly or indirectly, by incorrect use, carelessness, accidental damage, repair, inadequate maintenance or cleaning and normal wear and tear.

Guarantee and/or warranty claims must be made within twelve months from the date of purchase (date of invoice). Any further claims shall be excluded.

This warranty includes all guarantee obligations of the Seller and replaces all previous declarations and agreements concerning warranties.

The warranty period is valid for eight hours of daily use. If this is exceeded, the warranty period shall be reduced in proportion to the excess use, but to no less than three months.

Returning rejected goods requires the prior express consent of the Seller and is at the Buyer's risk and expense.

Further warranty details can be found in the General Terms and Conditions (GTC). The GTC can be viewed at www.jettools.com or can be sent by post upon request.

The Seller reserves the right to make changes to the product and accessories at any time.

3. Safety

3.1 Authorized use

This dust collector is designed for sucking wood dust only. Any other application is not permitted and may be carried out in specific cases only after consulting with the manufacturer.

Materials such as liquids, metal shavings, metal dust, screws, glass, plastic or rock can cause sparks and/or damage when coming into contact with any part of the dust collector.

The product is not suitable for use in wet or humid environment.

Don't use appliance in places with a risk of explosion.

The proper use also includes compliance with the operating and maintenance instructions given in this manual.

The dust collector must be operated only by persons familiar with its operation and maintenance and who are familiar with its hazards.

The required minimum age must be observed.

The dust collector must only be used in a technically perfect condition.

Before connecting the dust collector to electric power, all safety mechanisms and covers must be mounted.

In addition to the safety requirements contained in these operating instructions and your country's applicable regulations, you should observe the generally recognized technical rules concerning the dust collection on woodworking machines.

Any other use exceeds authorization. In the event of unauthorized use of the product, the manufacturer renounces all liability and the responsibility is transferred exclusively to the operator.

3.2 General safety notes

Read and understand the entire instruction manual before attempting assembly or operation of the air cleaner.

Keep this operating instruction close by the product, protected from dirt and humidity, and pass it over to the new owner if you part with the tool.

No changes to the dust collector may be made.

Daily inspect the function and existence of the safety appliances before you start the air cleaner. Do not attempt operation in this case, protect the dust collector by unplugging the power cord.

Always disconnect the dust collector from the power source (unplug) before servicing or changing filters.

During the changing or cleaning of the filter it's necessary to use a mask (mask with filtration).

Never reach into the machine while it is operating or running down.

To reduce the risk of injury from moving parts, always keep inlet port covered with the caps provided, if they are not connected to a hose.

Make sure that the power cord does not impede work and cause people to trip.

Do not operate the machine under the influence of drugs, alcohol or any medication. Be aware that medication can change your behaviour.

Keep children and visitors a safe distance from the work area.

Never leave a running machine unattended. Before you leave the workplace switch off the unit.

Do not operate the electric tool near inflammable liquids or gases. Observe the fire fighting and fire alert options, for example the fire extinguisher operation and place.

Do not use the dust collector in a dump environment and do not expose it to rain.

Do not use this equipment to filter volatile fumes or smoke.

Wood dust is explosive and can also represent a risk to health. Dust from some tropical woods in particular, and from hardwoods like beach and oak, is classified as a carcinogenic substance.

Connection and repair work on the electrical installation may be carried out by a qualified electrician only.

Have a damaged or worn power cord replaced immediately.

3.3 Remaining hazards

When using the machine according to regulations some remaining hazards may still exist.

Dust can cause injuries.

The use of incorrect mains supply or a damaged power cord can lead to injuries caused by electricity.

Danger of explosion if not properly grounded.

4. Machine specifications

4.1 Technical data

Dust inlet	Ø100mm
Air flow	900 m³/h
Vacuum pressure	1050Pa
Collector bag capacity	55L
Overall (LxWxH)	1555x815x380mm
Net weight	19 kg
Mains	~230V, 50Hz
Motor power	550W
Reference current	2,7 A
Extension cord (H07RN-F)	3x1.5mm²
Installation fuse protection	10A
Isolation class	I

4.2 Noise emission

Acoustic pressure level:
(EN ISO 11202) LpA 78 dB(A)

The specified values are emission levels and are not necessarily to be seen as safe operating levels. As workplace conditions vary, this information is intended to allow the user to make a better estimation of the hazards and risks involved only.

4.3 Content of delivery

Filter bag
Collection bags (3x)
Mobile casters (4x)
Hose 100 mm
Hose clamps (2x)
Hose ground wire
Operating manual
Spare parts list

4.4 Unit description

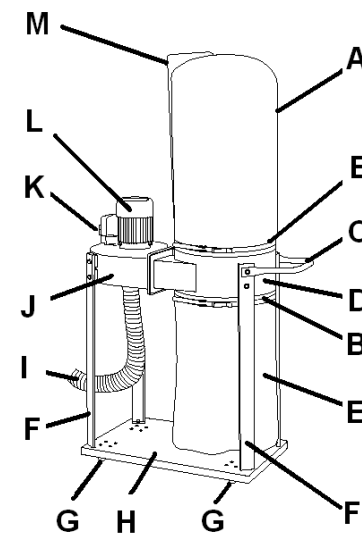


Fig 1

A....Filter bag
B....Bag clamp
C....Handle
D....Bag support housing
E....Collection bag

F....Legs (4)
G....Casters (4)
H....Base
I....Hose
J....Motor support housing
K....ON/OFF switch
L....Motor
M...Filter bag hanger

5. Assembly and start up

5.1 Assembly

If you notice transport damage while unpacking, notify your supplier immediately. Do not operate the unit!

Dispose of the packing in an environmentally friendly manner.

Install the casters to the base:

Install four casters to the under side of the base with bolts, lock washers washers and nuts (Fig 2)

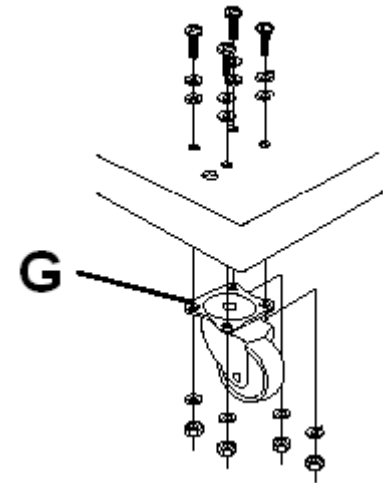


Fig 2

Motor and bag-support assembly:

Align the motor assembly and bag support assembly as shown in Fig 3.

Place the square rubber gasket (N) into the exhaust port of the motor assembly (J).

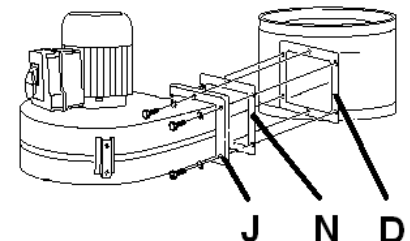


Fig 3

Attach with bolts and washers.

Attach 2 legs to the motor assembly:

Turn the motor-bag-support assembly upside down.

Place plastic spacers (O, Fig 4) between motor assembly and legs.

Attach legs with medium bolts and washers.

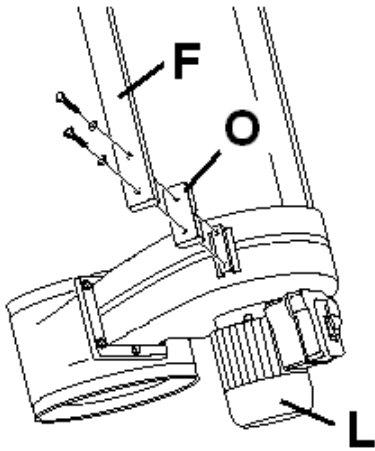


Fig 4

Attach 2 legs and handle to bag support:

Place plastic spacers (O, Fig 5) between bag support and legs.

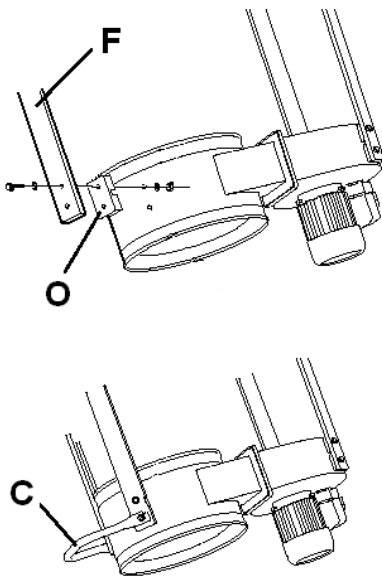


Fig 5

Align handle (C) as shown.

Attach with long bolts washers and nuts.

Attach the legs to the base:

Turn the motor-bag-support-leg assembly gently right side up and set it to the base.

Locate the motor side (A, Fig 6) and the bag side (B) of the base.

Note: the holes for the legs of the bag side (B) are closer to the casters.

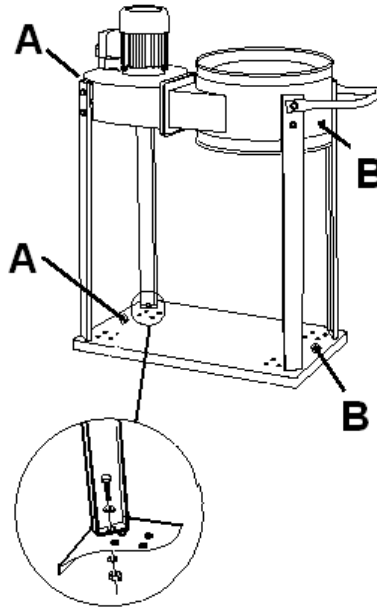


Fig 6

Attach with short bolts washers and nuts.

Attach filter bag hanger:

Attach filter bag hanger (M) with short bolts washers and nuts.

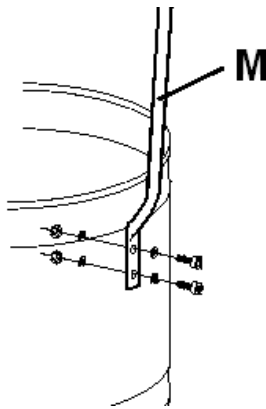


Fig 7

Install the filter bag:

Attach the loop of the filter bag to the filter bag hanger (M).

Place the filter bag (A) over the bag support housing.

Place a bag clamp (B) over the bag and close the clamp.

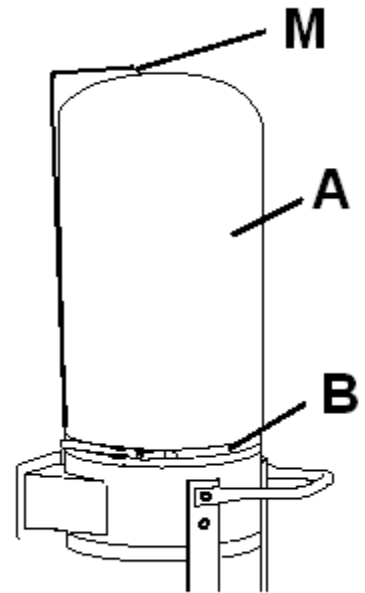


Fig 8

Note: make sure the bag is fastened securely so that no dust will escape during operation.

Install the collection bag:

Place a collection bag (E) over the bag support housing.

Place a bag clamp (B) over the collection bag and close the clamp.

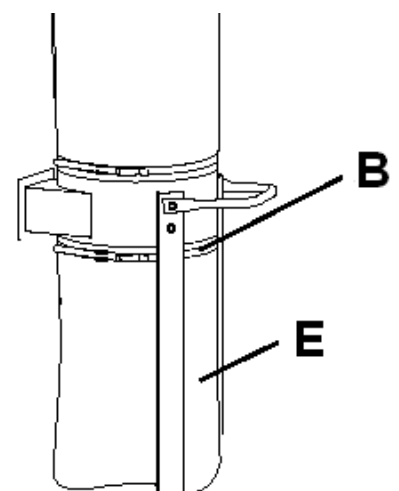


Fig 9

Note: make sure the bag is fastened securely so that no dust will escape during operation.

Attach the hose:

Use one hose clamp (Q) to connect the hose (I) to the intake port.

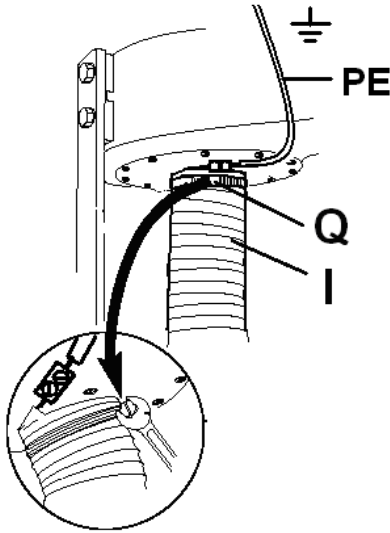


Fig 10

Use the other hose clamp on the machine to be connected.

5.2 Dust connection

Connect the steel wire of the hose to the green-yellow ground wire (PE, Fig 10). This eliminates electrostatic charging.

Any hose or ductwork you use to connect the tool to the dust collector must be grounded, for avoiding explosion.
(Dust Collector Grounding Kit, Article Number: JW1053).

5.3 Mains connection

Mains connection and any extension cords used must comply with applicable regulations.
The mains voltage must comply with the information on the machine licence plate.

The mains connection must have a 10 A surge-proof fuse.

Only use power cords marked H07RN-F

Connections and repairs to the electrical equipment may only be carried out by qualified electricians.

6. Machine operation

You can start and stop the machine with the ON/OFF switch (K).

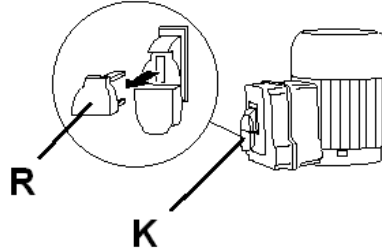


Fig 11

The Switch has a removable safety key (R). When the key is not inserted the switch is locked in the OFF position.

7. Maintenance and inspection

General notes:

Maintenance, cleaning and repair work may only be carried out after the machine is protected against accidental starting by pulling the mains plug.

Inspect the proper function of the dust collection system daily.

Clean the unit regularly.

Defective safety devices must be replaced immediately.

Repair and maintenance work on the electrical system may only be carried out by a qualified electrician.

7.1 Cleaning filter bag

Shake the filter bag whenever it is clogged and before each collector bag change.

During the cleaning of the filter bag it's necessary to use a mask (mask with filtration).

7.2 Changing collector bag

Always disconnect the dust collector from the power source (unplug) before servicing or changing filter.

During the changing or cleaning of the collector bag it's necessary to use a mask (mask with filtration).

8. Trouble shooting

Unit doesn't start

*No electricity-
check mains and fuse.

*Defective switch, motor or cord-
consult an electrician.

Air flow too weak

*Clogged filter-
Clean filter.

9. Environmental protection

Protect the environment.

Your appliance contains valuable materials which can be recovered or recycled. Please leave it at a specialized institution.



This symbol indicates separate collection for electrical and electronic equipment required under the WEEE Directive (Directive 2012/19/EC) and is effective only within the European Union.

10. Available accessories

Stock number 10000315

PVC-hose transparent, Ø100mm, length 2,5m

Stock number JW1022

Hose clamp Ø100mm

Stock number JW1053

Dust collector grounding kit

Stock number 10000339

Automatic start unit 230V

Further dust collection accessories available, see price list.